

Installation Note

Agilent Technologies E7403A and E7404AB EMC Analyzers Low Frequency Extension (Option UKB) Retrofit Kit



Agilent Technologies

Part Number E7404-90001
Printed in USA February 2002

Notice.

The information contained in this document is subject to change without notice.

Agilent Technologies makes no warranty of any kind with regard to this material, including but not limited to, the implied warranties of merchantability and fitness for a particular purpose. Agilent Technologies shall not be liable for errors contained herein or for incidental or consequential damages in connection with the furnishing, performance, or use of this material.

Microsoft® is a U.S. registered trademark of Microsoft Corp.

Introduction

This procedure can be used to retrofit a 100 Hz Low Frequency Extension (Option UKB) into an E7403A or E7404A EMC analyzer. One kit is provided for both model numbers. This kit contains nameplates and connector labels for both the E7403A and E7404A; only one nameplate and one connector label will be used.

Products Affected:	E7403A E7404A
Serial Numbers:	US40240000/US99999999 MY00000000/MY99999999
Options:	UKB
To Be Performed By:	(X) Agilent Technologies Service Center (X) Personnel Qualified by Agilent () Customer
Estimated Installation Time:	3.0 Hours
Estimated Verification Time:	2.0 Hours

Installation Kit Parts Lists

E7403A/E7404A (Option UKB) Retrofit Kit, E7404-60001^a

Quantity	Description	Part Number
1	Cable Assembly, LPF to RF Bottom Board	E4404-20026
1	Connector Label, E7403A Option UKB	E4404-80007
1	Connector Label, E7404A Option UKB	E4405-80005
1	Nameplate, E7403A Option UKB	E7403-80002
1	Nameplate, E7404A Option UKB	E7404-80002
1	Kit - Firmware Upgrade	Option UE2
1	Option UKB Retrofit Installation Note	E7404-90001
1	License Key Certificate	5964-5136 ^b
1	Page Letter	5964-5139 ^b

- a. This kit part number cannot be ordered. The part number is given to identify the kit.
- b. This part cannot be ordered. The part number is given to identify the item in this kit.

Tools Required

- T-10 TORX screwdriver
- T-15 TORX screwdriver
- Flat-blade screwdriver
- Sharp knife or razor blade
- Function Generator
- Synthesized Sweeper
- Digital Voltmeter
- Power Meter, Dual-Channel
- RF Power Sensor (2 required)
- Microwave Power Sensor
- 50 Ω Termination
- Power Splitter
- 20 dB Attenuator
- APC 3.5 (m) Cable Assembly
- APC 3.5 (m) to Type N (m) Adapter
- APC 3.5 (m) to Type N (f) Adapter
- BNC Tee (f,m,f)
- Dual Banana to BNC (f) Adapter
- Adjustment Software

The Adjustment Software may be obtained by ordering either the Service Documentation (Option 0BW), or the N2717A Performance Verification and Adjustment Software.

Torque Settings

To avoid potential RFI leakage and prevent connector damage, tighten screws and RF coax cable connectors to the following torque limits:

Item	Torque in Inch-Pounds
SMA Connector	8.5
SMC Connector	5.5
3.5-mm, T-10 TORX screws	14
4-mm, T-15 TORX screws	21
Pozidrive Screws	14

Procedure

Verify A8A1 3 GHz RF Assembly Part Number

1. Turn on the analyzer and wait for the initial adjustments to complete.
2. Press **System, More, Show Hdwr**. This displays the Show Hardware screen, which lists the part number and serial number of most of the installed board assemblies.
3. Locate the part number of the “50Ω 3 GHz Input” assembly.
4. If the part number of the 50Ω 3 GHz Input assembly is E4403-60033 or lower, the A8A1 3 GHz RF assembly must be replaced. If the analyzer does not have the High Stability Frequency Reference, Option 1D5, order E4403-60037. If the analyzer does have Option 1D5, order E4403-60038.

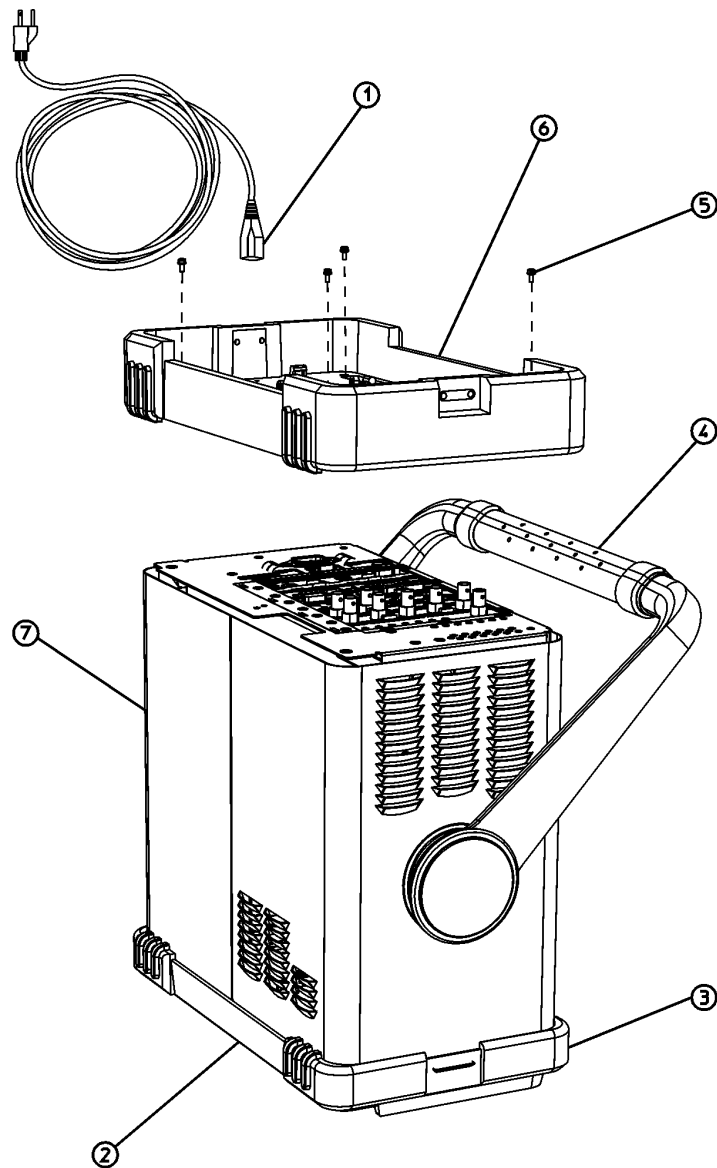
WARNING Before you disassemble the instrument, turn the power switch OFF and unplug the instrument. Failure to unplug the instrument can result in personal injury.

CAUTION Electrostatic discharge (ESD) can damage or destroy electronic components. All work on electronic assemblies should be performed at a static-safe workstation. Refer to the documentation that pertains to your instrument for information about static-safe workstations and ordering static-safe accessories.

Dress Cover Removal

1. Referring to Figure 1, disconnect the analyzer from ac power (1).
2. Remove any adapters or cables (2) connected to the front frame.
3. Carefully place the analyzer on the work surface with the front frame (3) facing down.
4. Position the handle (4) as shown.
5. Remove the four screws (5) that hold the rear frame and dress cover in place.
6. Remove the rear frame (6).
7. Pull the dress cover (7) off towards the rear of the analyzer.

Figure 1 Dress Cover and Rear Frame Removal

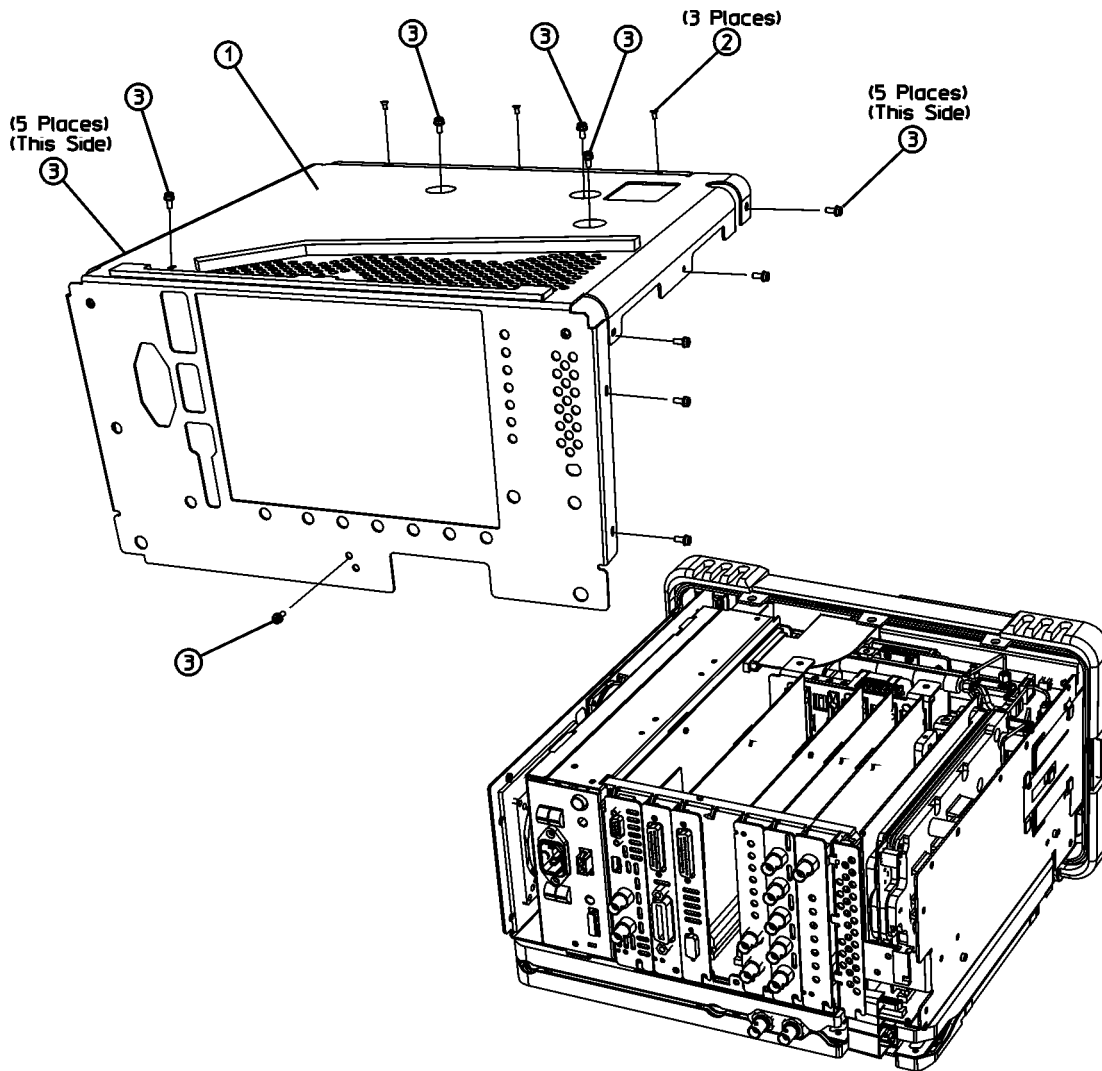


dl71b

Chassis Cover Removal

1. Lay the analyzer flat as shown in Figure 2.
2. Remove the 15 screws (2) and (3) attaching the chassis cover to the chassis. Note that the number of screws attaching the chassis cover may vary with option mixes.
3. Remove the chassis cover (1) from the chassis.

Figure 2 Chassis Cover Removal



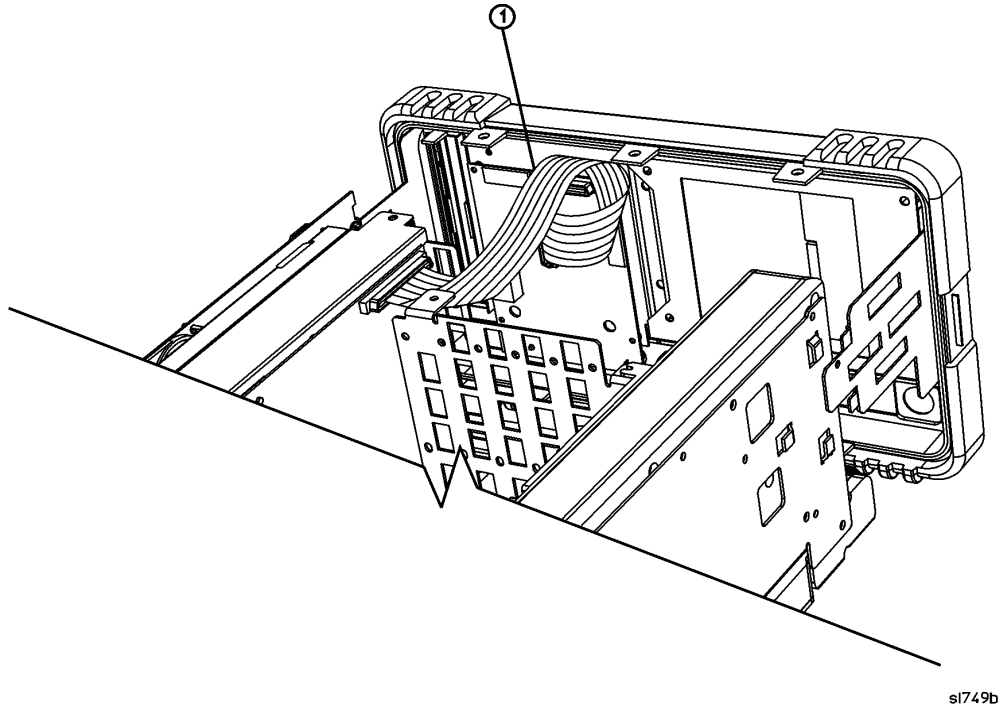
dl72b

Removal

Refer to Figure 3. To completely remove the A1 front frame assembly, complete the “Extension” procedure, then continue with the following steps:

1. Refer to Figure 4. Disconnect the ribbon cable (1) from the A1A1 front panel interface board.

Figure 4 **Front Frame Ribbon Cable**



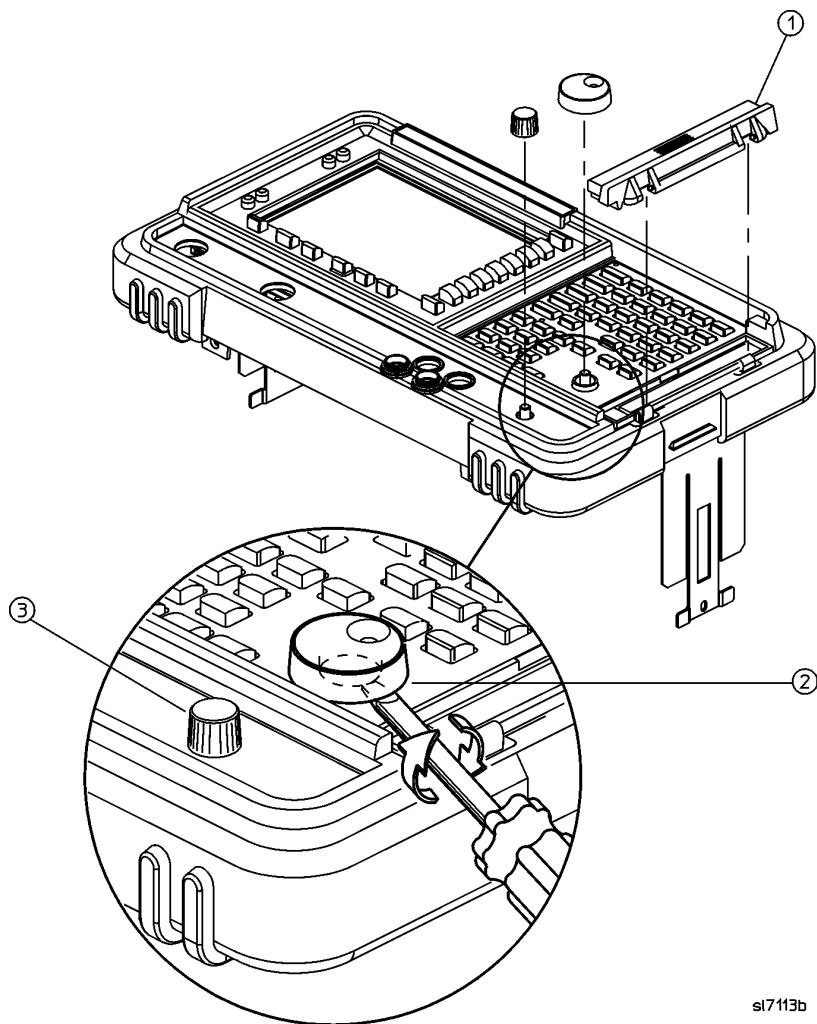
2. Carefully pull the sides of the front frame subpanel away from the chassis and over the tabs on the chassis.
3. Slide the front frame forward to disengage from the chassis assembly.

A1A1 Front Panel Interface Board Removal

1. Refer to Figure 5. Remove the disk drive door (1).
2. Remove the RPG knob (2).
3. Remove the volume knob (3).

TIP You may need to exert considerable force in order to remove the RPG knob. It may be necessary to pry it off using a screwdriver as shown in Figure 5.

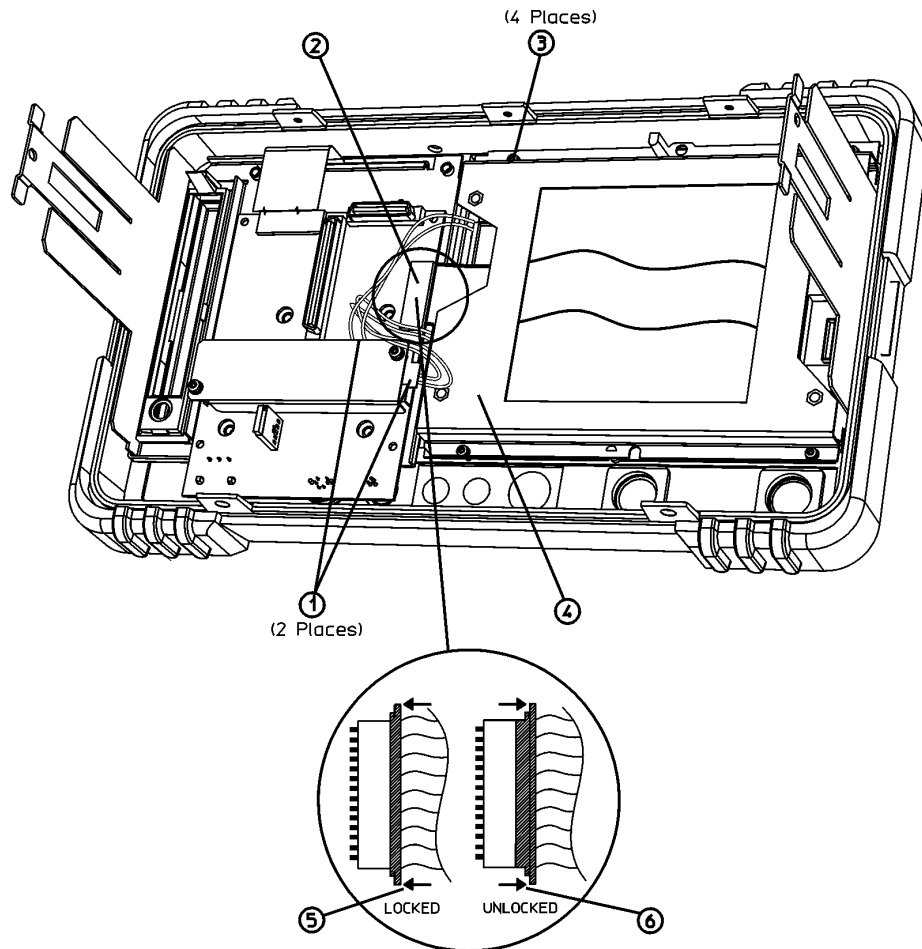
Figure 5 Removing the Front Frame Knobs



sl71f3b

4. Refer to Figure 6. Disconnect the two 2-wire backlight cables (1) from the front panel interface inverter board.
5. Disconnect W3 ribbon cable (2) from the front panel interface board.

Figure 6 **Disconnecting the Front Frame Wiring Connections**



sl748b

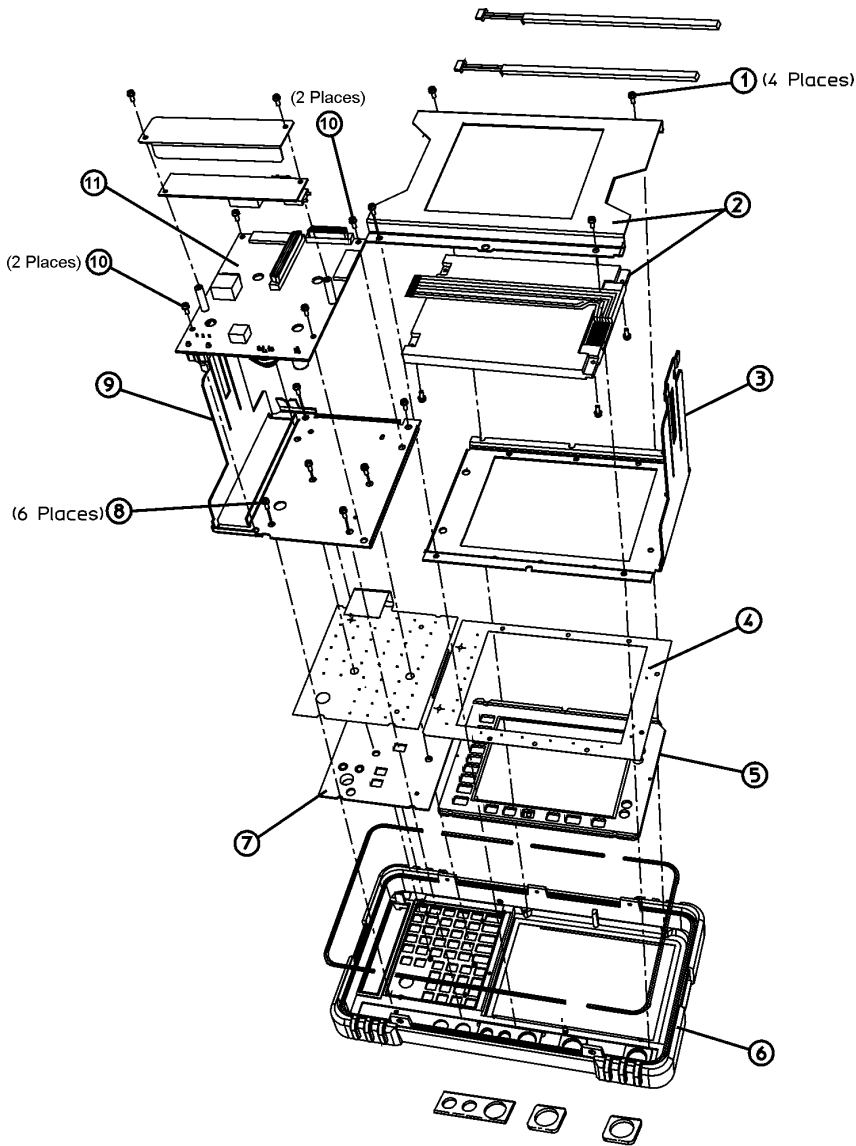
CAUTION The W3 display ribbon cable connector (2) is delicate. With a small screwdriver or similar tool, gently push the lock tabs out from the back of the connector. Excessive force on the locking tab can break the retaining clips, and if broken, board replacement will be necessary.

6. Refer to Figure 7. Remove the four screws (10) that secure the A1A1 front panel interface board (11) to the front frame.
7. Remove the front panel interface board from the front frame assembly.

Removal

NOTE There is a water-seal gasket placed around the volume control shaft that will need to be repositioned during the replacement procedure.

Figure 7 Front Frame Assembly Parts

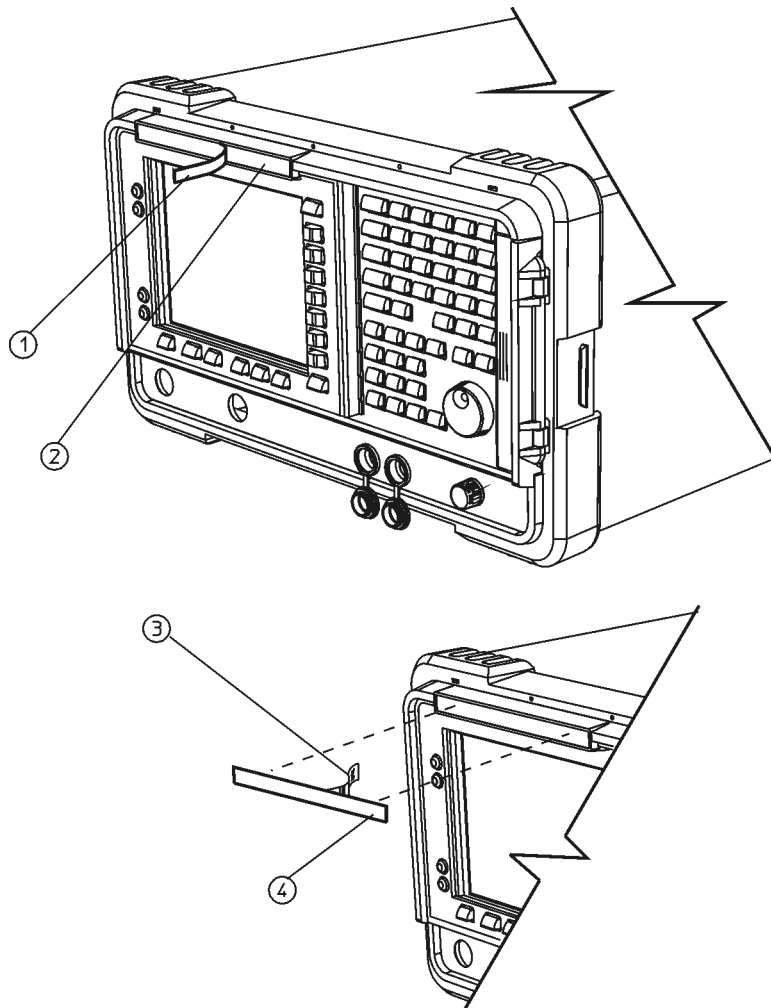


jl73a

Attach Nameplate to Front Frame

1. Locate the correct nameplate in the kit. The nameplate is labelled with the analyzer product number (for example, "E7403A") and the analyzer's frequency range. This kit contains two nameplates, one for the E7403A and one for the E7404A.
2. Remove the existing nameplate (1) as shown in Figure 8.
3. Clean the surface (2) of any adhesive residue.
4. Peel the backing (3) off the new nameplate and place it (4) as shown.

Figure 8 **Nameplate Replacement**

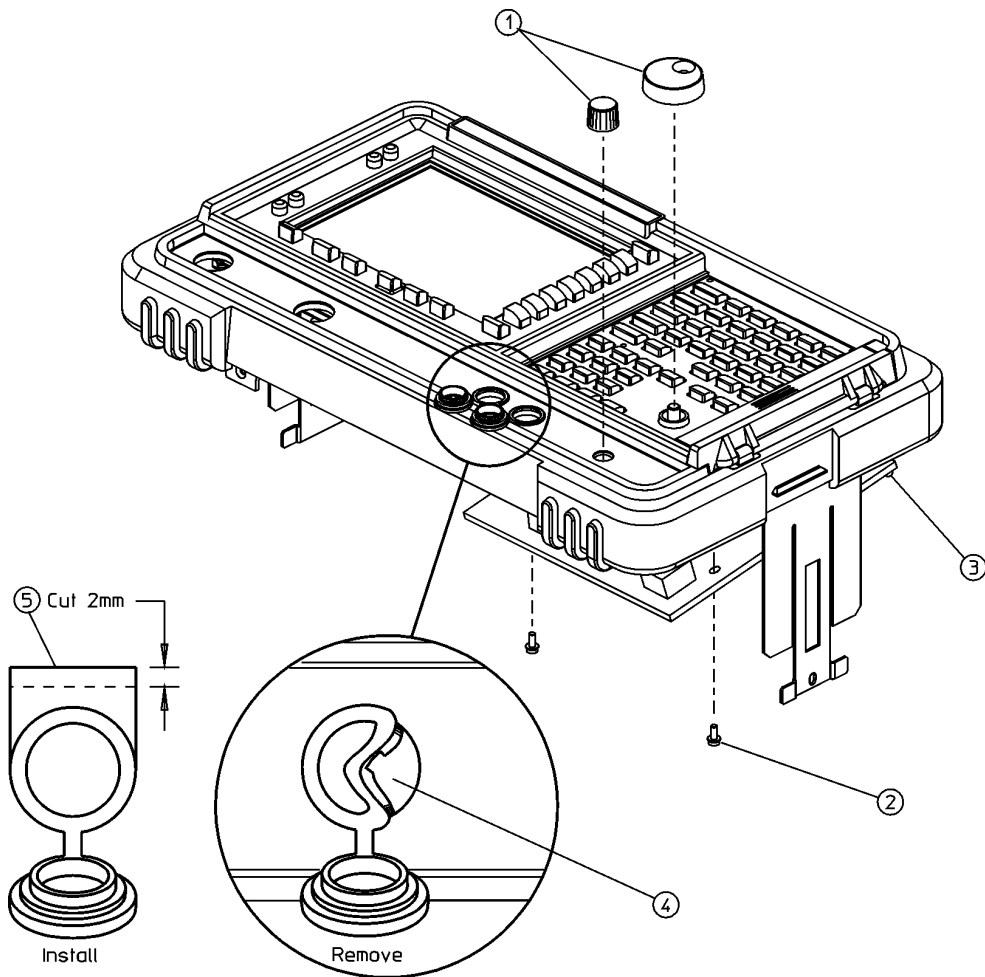


sl7114b

Attach Connector Label and Connector Covers to Front Frame

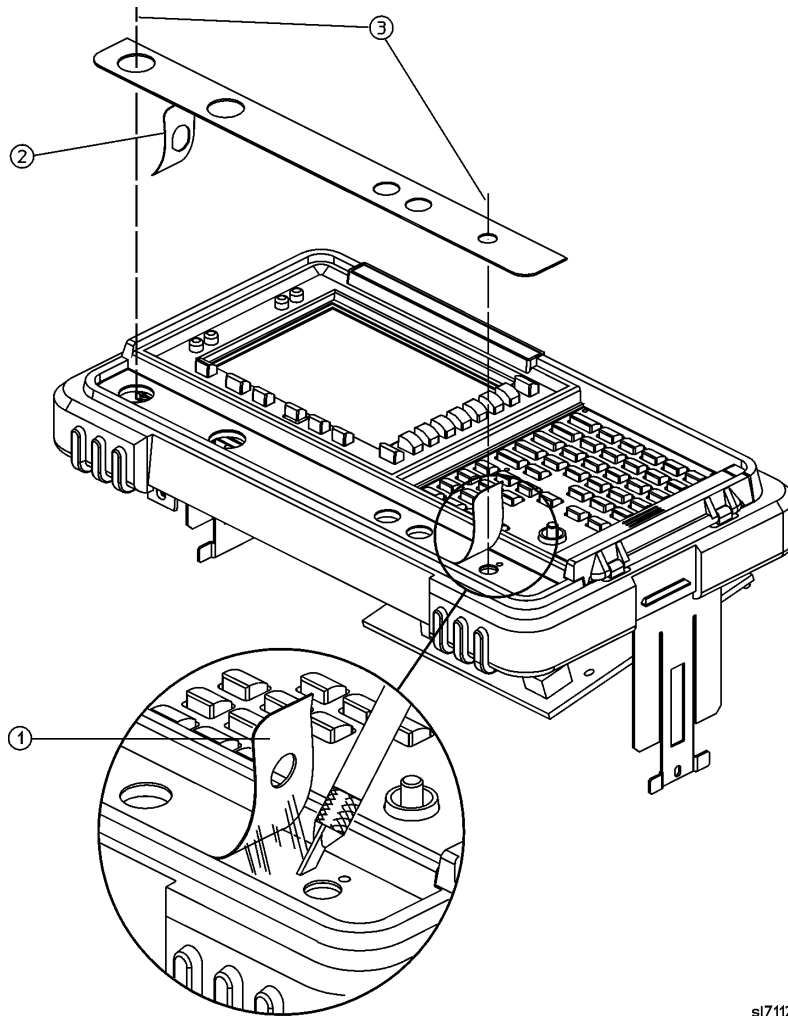
1. Locate the appropriate connector label in the kit. The connector label has holes to accommodate the various front panel connectors and the volume control. The frequency range of the analyzer appears near the hole next to the INPUT connector. This kit contains two connector labels identifying different frequency ranges for different analyzers. Choose the connector label that is appropriate for the analyzer being retrofitted.
2. Refer to Figure 9. If the analyzer does not have a tracking generator, remove the hole plug for the RF OUT connector.
3. Remove the two connector covers from the front panel by pinching them from the sides and removing them (4) through the front of the front frame assembly.

Figure 9 Connector Covers



sl711b

Figure 10 Connector Label Installation



sl7112b

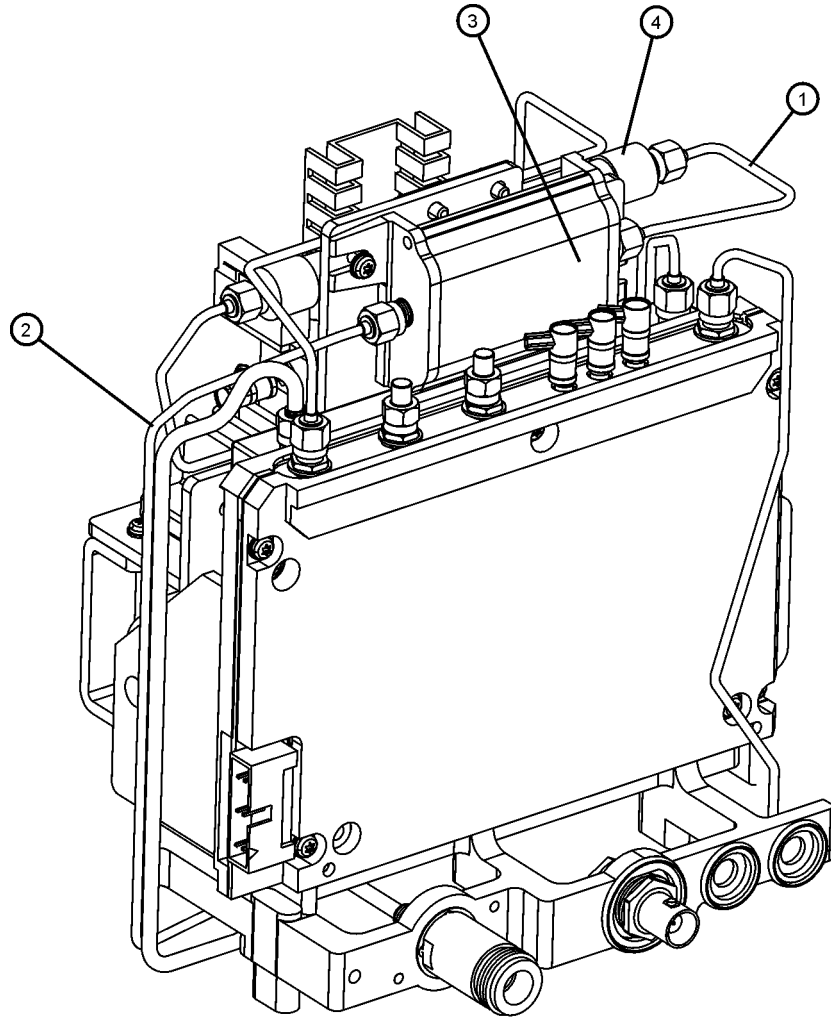
4. Peel off the old connector label loosening any residual adhesive with a sharp knife or razor blade as you go.
5. Before installing the new connector label, make sure the surface is free of any adhesive residue left from the old label. Failure to do so may result in an uneven (lumpy) appearance of the new label.
6. Peel the backing (2) off the new label, as shown in Figure 10.
7. Align and install the label by placing a finger in the RF OUT and VOLUME holes (3). Observe the alignment of the INPUT and PROBE POWER holes.

TIP Refer to Figure 9. It may be helpful to trim off about 2 mm of the tabs (5) on the connector covers prior to reinstalling them. This will help in aligning the covers.

8. Reinstall the two connector covers from the front panel by pinching them from the sides and installing them through the front of the assembly.
9. Align the connector covers so they open downward.
10. Reinstall the hole plug that was removed if your analyzer does not have a tracking generator.

Figure 11

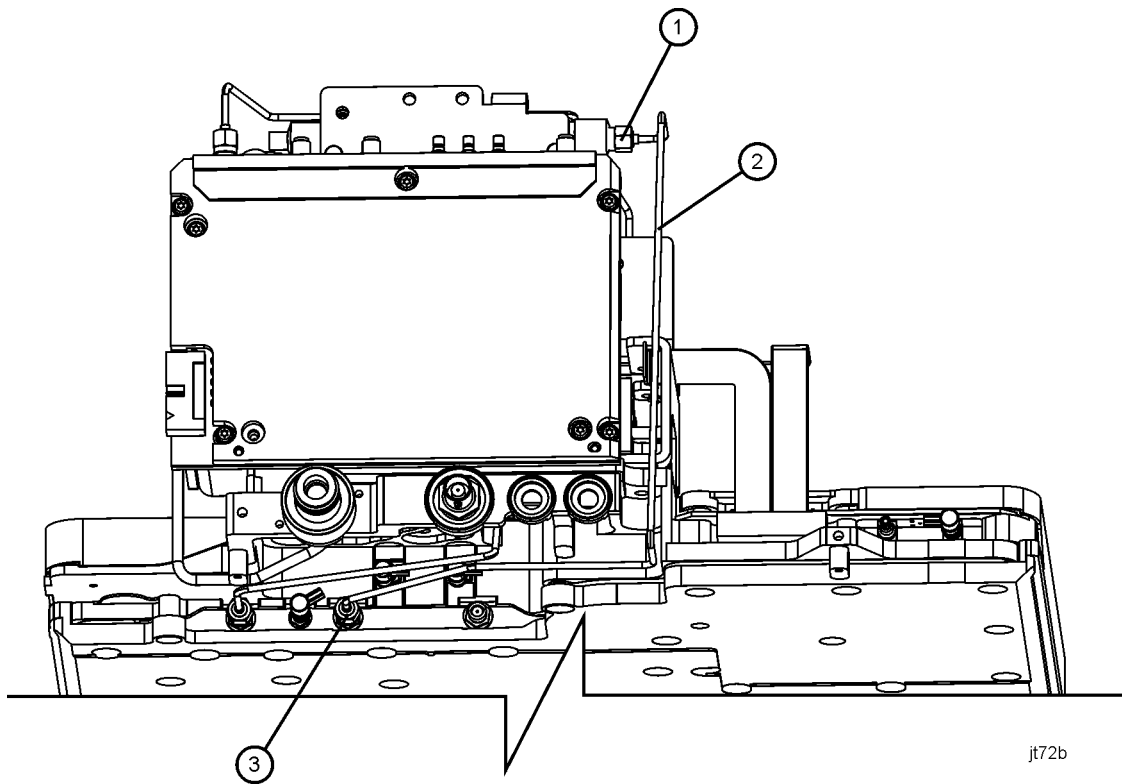
Microwave RF Assembly Front View, Semi-rigid Cables E7403A and E7404A



jt71b

1. Refer to Figure 11. Locate W19 (1). W19 is a semi-rigid coax cable connected between the A8A3 DC block (3) and A8FL1, the 3 GHz Low Pass Filter (4). Remove W19 (1).
2. Disconnect W8 (2) from the A8A3 DC block (3).
3. Rotate the analyzer so that the right side is resting on the table.
4. Disconnect W8 from A8A1A2J2.
5. Remove the A8A3 DC block (3).

Figure 12 **Connect Semi-Rigid Cables to Microwave RF Assembly**



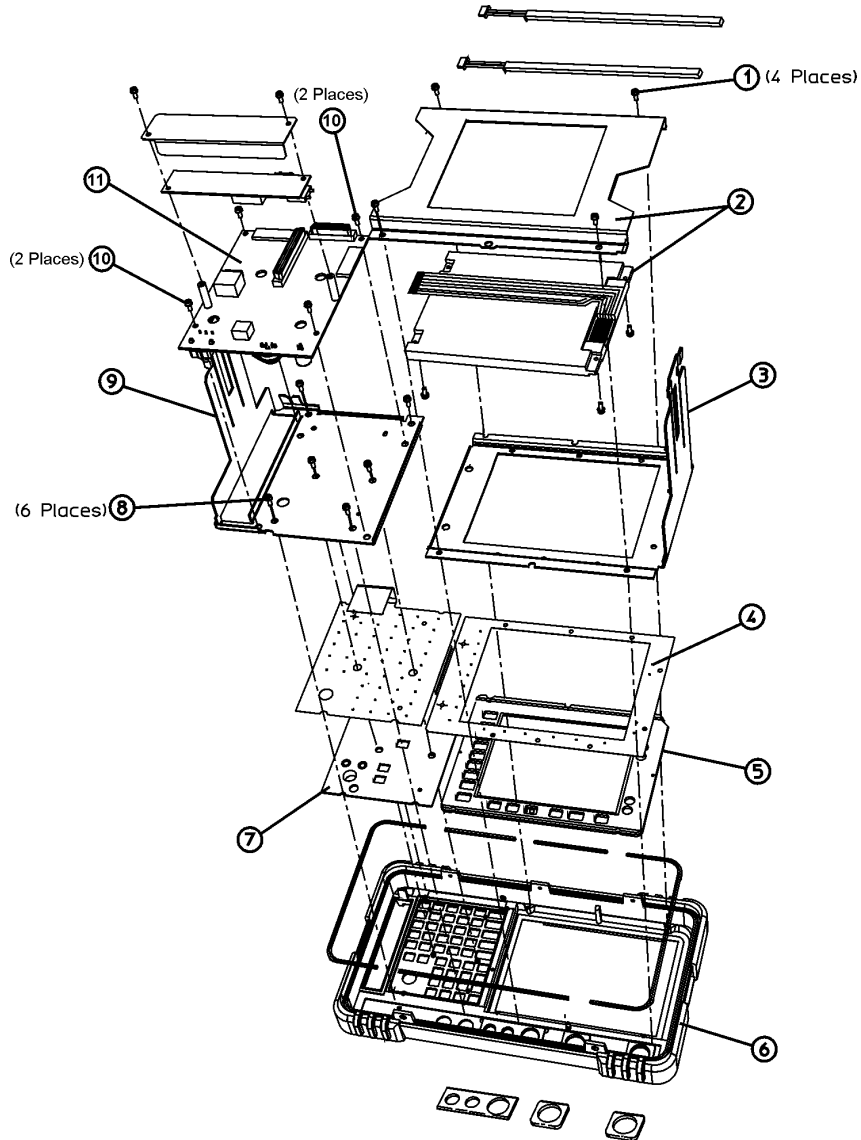
jt72b

6. Refer to Figure 12. Connect the new W35 coax cable (2) supplied in this kit between the output of A8FL1 (1) and A8A1A2J2 (3). Torque the connections to 10 in-lbs.

Replace A1A1 Front Panel Interface Board

1. Refer to Figure 13. Place the front panel interface board (11) in the correct position in the front frame assembly. Make sure the water seal is in place around the volume control shaft.
2. Replace the four screws that secure the board to the front frame. Tighten them to 9 inch-pounds.

Figure 13 Front Frame Assembly Parts



jl73a

3. Refer to Figure 14. Connect the W3 display ribbon cable (2) to the front panel interface board.

TIP

An easy way to insert this delicate cable into the connector is to place your finger on the cable, in the center of the LCD display, and gently slide the cable toward the connector until they align. Then, providing guidance with the other hand as necessary, slide the cable until the end slips into the connector.

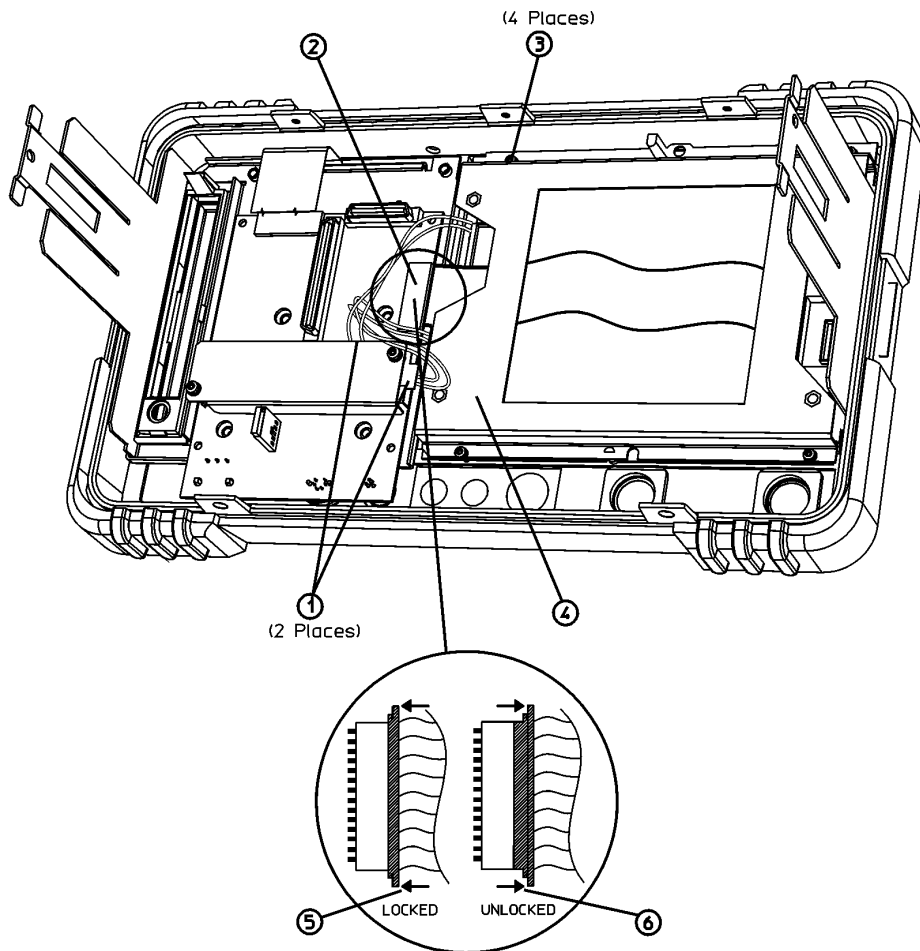
Ensure the cable end is seated completely and is aligned straight within the connector body.

Continue to hold the cable in place with your finger, and with the other hand gently press the locking tabs (5) into place.

If you experience display problems, check this connection.

4. Reconnect the two 2-wire backlight cables (1) to the inverter board, making sure that the cables are dressed away from the openings for the control knobs.

Figure 14 Connecting the Front Frame Wiring Connections



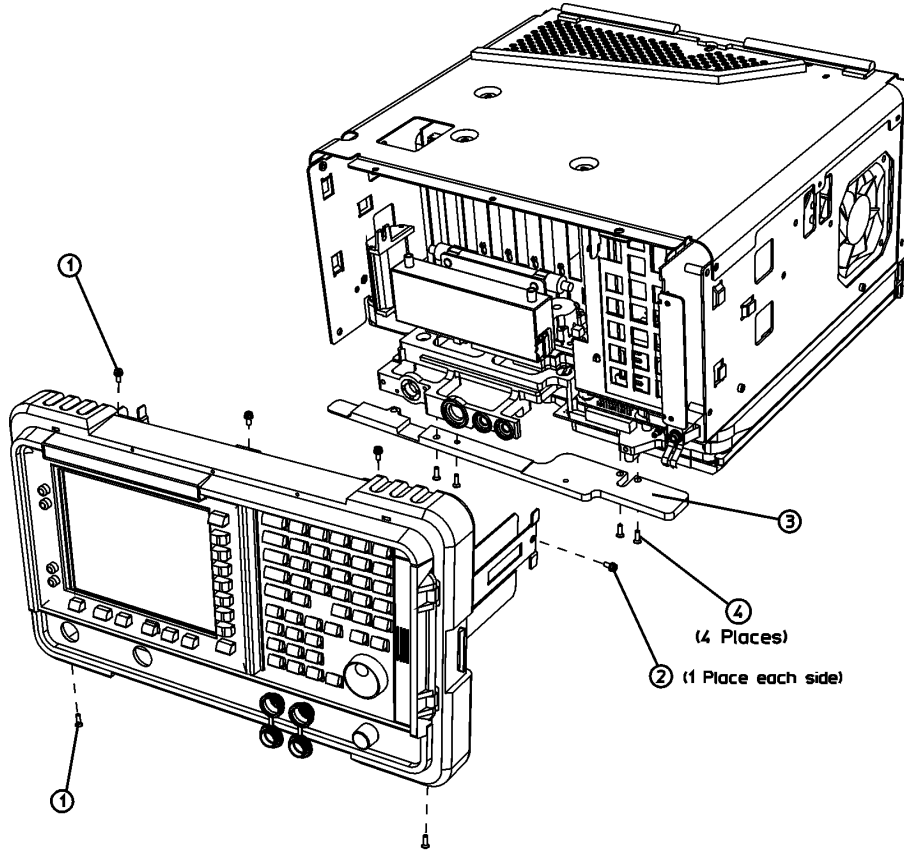
sl748b

5. Press the volume and RPG knobs onto their control shafts.

Replace Front Frame Assembly

1. Align the A1 front frame subpanel rails with the chassis as shown in Figure 15.

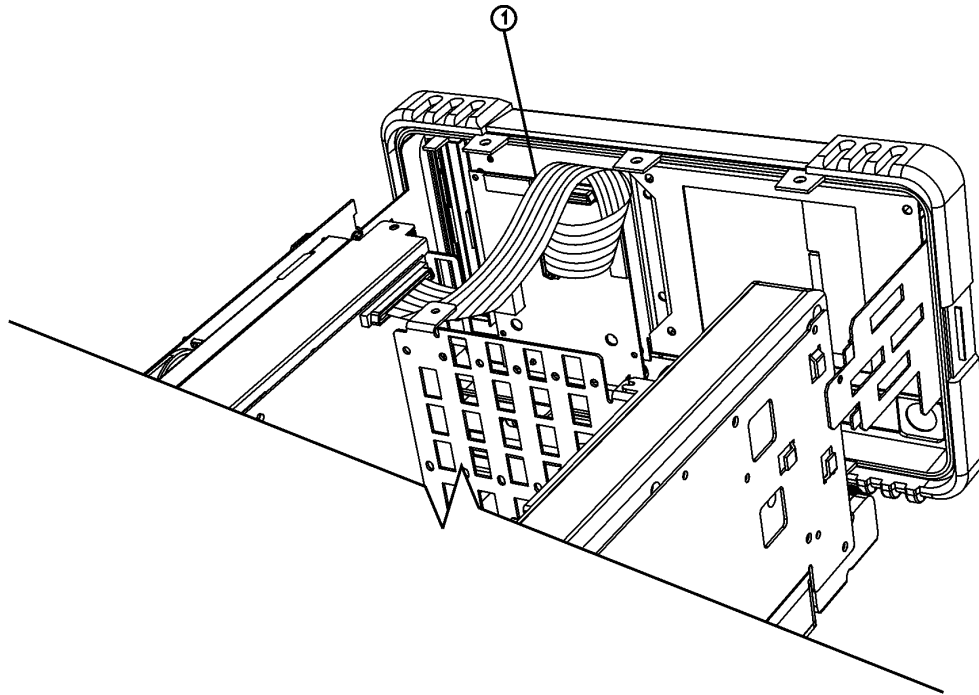
Figure 15 Front Frame Assembly Replacement



sl71f8b

2. Refer to Figure 16. Connect the ribbon cable (1) to the front frame assembly.

Figure 16 **Front Frame Ribbon Cable**

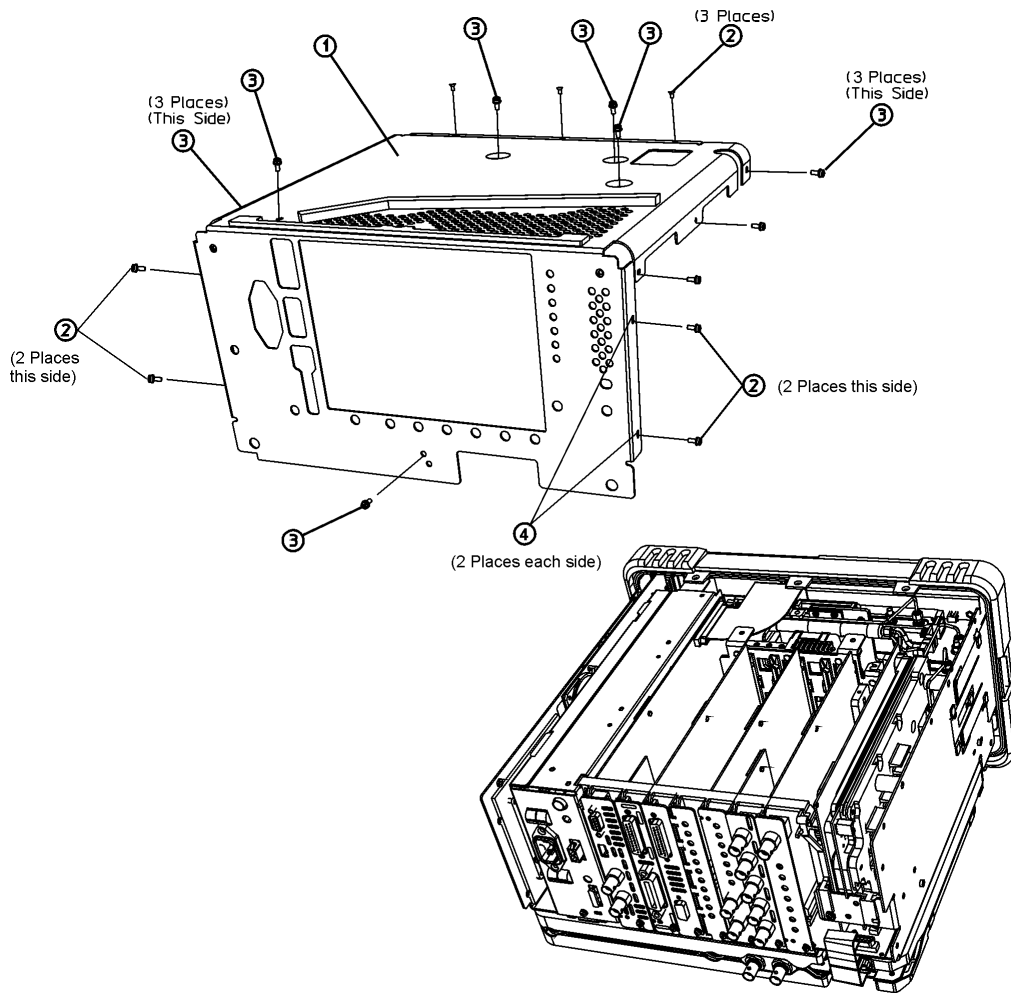


sl749b

3. Carefully slide the front frame toward the chassis, assuring the ribbon cable(s) are not pinched between assemblies, and the RF input connector lines up correctly with the opening in the front frame.
4. Refer to Figure 15. Replace the screws that secure the front frame to the chassis (2) and to the RF assembly (1). Tighten them to 9 inch-pounds.

Replace Chassis Cover

Figure 17 Chassis Cover Replacement



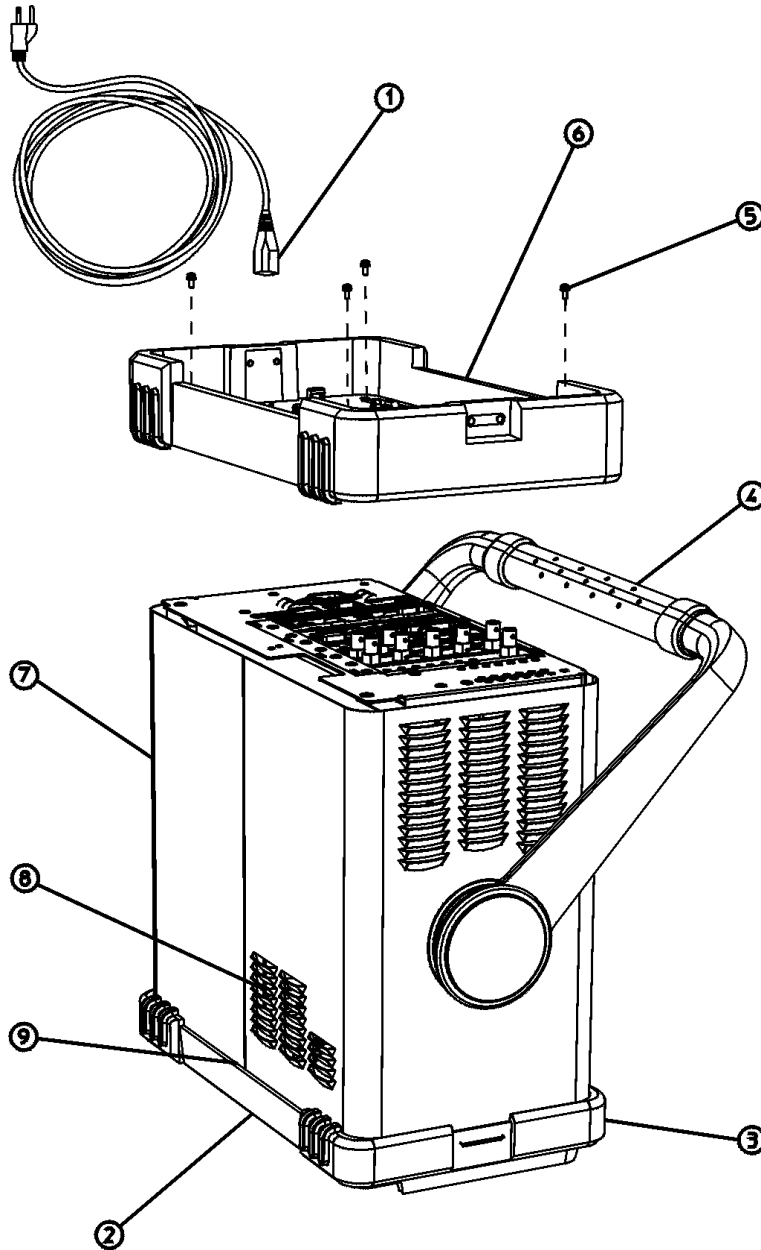
j174a

1. Carefully position the chassis cover (1) on the instrument as shown in Figure 17, then lower onto the instrument.
2. Replace the 17 screws (2) and (3) as indicated on the instructions on the chassis cover. Tighten the screws to 9 inch-pounds.

Replace Dress Cover

1. Refer to Figure 18. Carefully place the analyzer on the work surface with the front frame (3) facing down.
2. Replace the dress cover, matching the grill (8) on the bottom of the dress cover to the bottom of the analyzer.
3. Fit the leading edge of the dress cover completely into the slot (9) on the back of the front frame assembly.
4. Replace the rear frame assembly (6) using the four screws (5) to fasten the rear frame to the analyzer. Tighten them to 21 inch-pounds.

Figure 18 Dress Cover, Rear Frame Replacement



sl745b

Load New Firmware

1. Turn on the analyzer and wait for the power-on alignments to complete. Check that there are no error messages displayed.
2. Press **System, More, Show System**. Note the firmware revision. If the firmware revision is the same as that supplied with the firmware upgrade kit included in this kit, proceed to “Activate the Option UKB License Key.”
3. If your firmware revision is earlier than the revision supplied in the firmware upgrade kit, then you must upgrade your analyzer firmware. Refer to the installation note supplied with the firmware upgrade kit included in this kit.

Activate the Option UKB License Key

The license key supplied in this kit allows you to activate 100 Hz Low Frequency Extension (Option UKB).

1. Press **System, More, More, Licensing, Option**
2. When you press **Option**, the alpha editor will be activated. For instructions on using the alpha editor, refer to the *Agilent Technologies EMC Analyzers User's Guide*.
3. Use the alpha editor to enter the three-character designation for the option, in this case, “UKB”, that you want to activate.
4. Press **Enter** when done.
5. Press **License Key**. When you press **License Key** the alpha editor will be activated.
6. Use the alpha editor and the numeric keypad to enter the 12-character license key number (for example: D7C374DABD5B) for the option that you want to activate.
7. Press **Enter** when done.
8. Press **Activate** to turn on the option.

Adjustments and Performance Verification

1. Verify that Option UKB was activated by pressing **System, More, Show System**. Verify that there is an entry which reads, “UKB: Low Freq Extension”.
2. Perform the Frequency Response Adjustment, located in the Adjustment Software.
3. Perform the following performance verification tests, located in the *Agilent Technologies EMC Analyzers Calibration Guide*:
 - Frequency Response
 - Displayed Average Noise Level
 - Residual Responses
4. If you have problems performing either of these tests, get in touch with the nearest Agilent Technologies sales and service office listed in the troubleshooting chapter of the *Agilent Technologies EMC Analyzers User's Guide*.